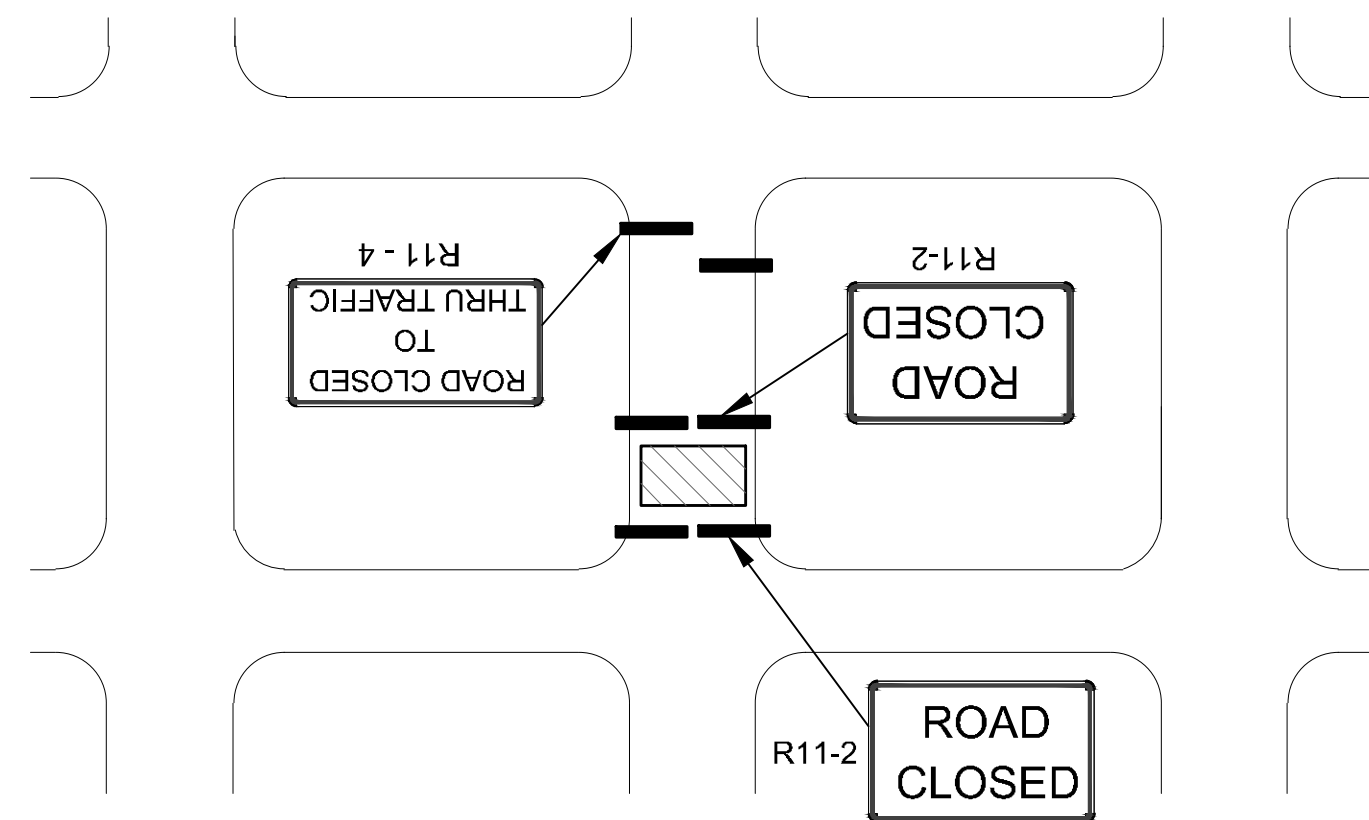
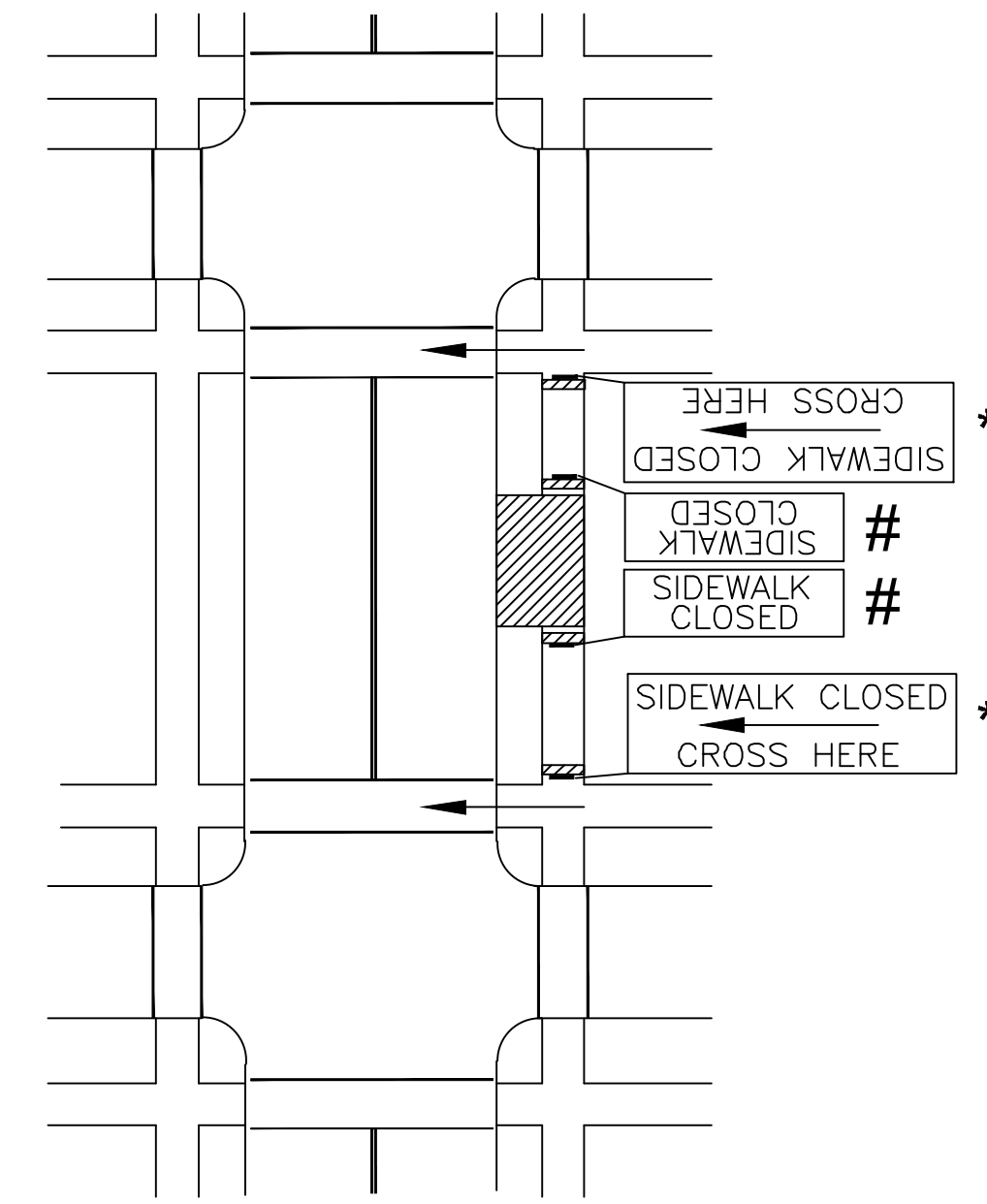


**FIGURE - 118 B (1)  
CONSTRUCTION WORK ON RESIDENTIAL / LOCAL STREETS**

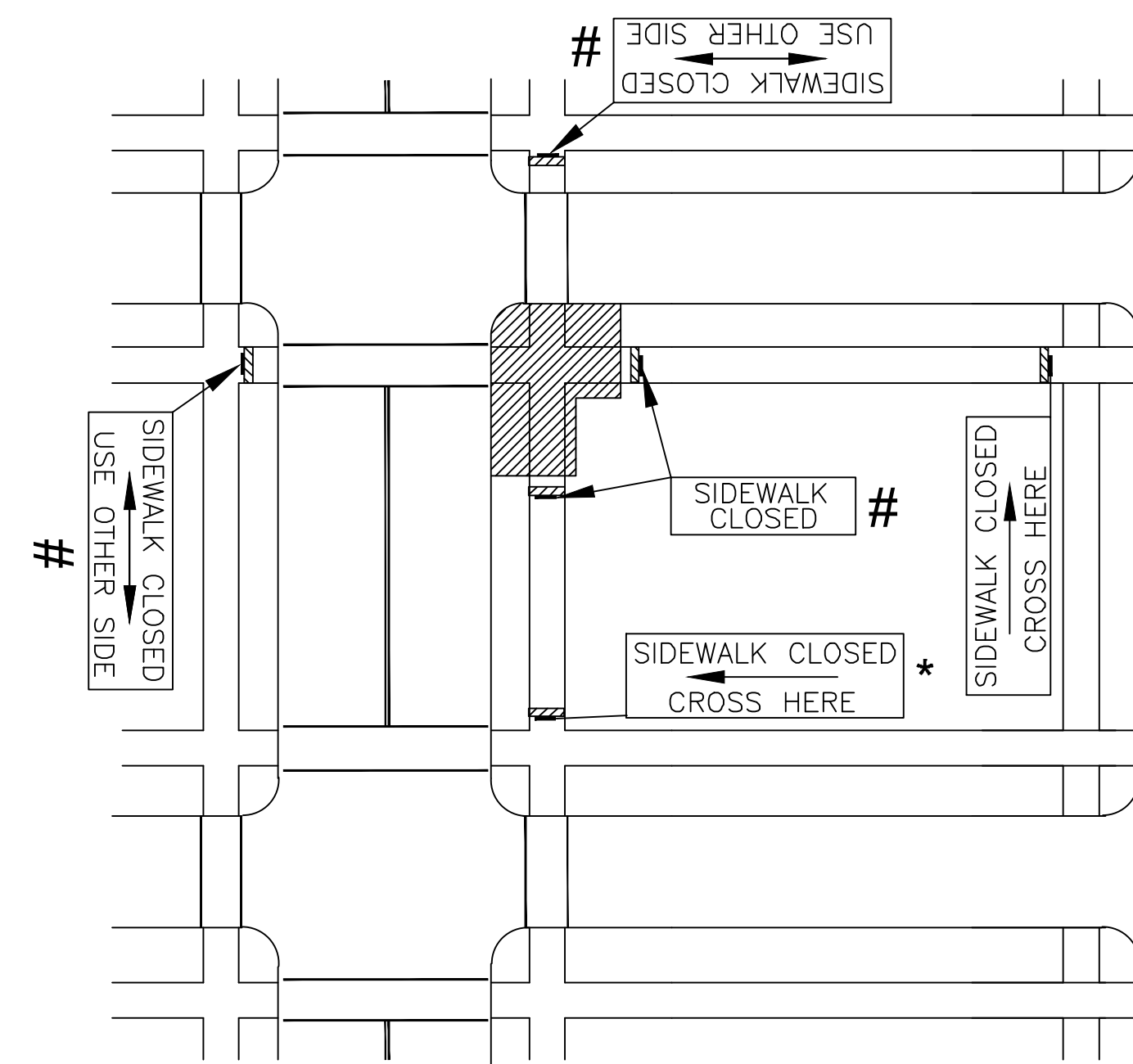


Need for Detour will be determined by the Engineer. Collector Streets cannot be detoured onto local or residential streets.

**FIGURE - 118 B (2)  
CLOSURE OF RESIDENTIAL / LOCAL STREETS**



**FIGURE - 118 B (3)  
MID-BLOCK SIDEWALK CLOSURE  
WITH PEDESTRIAN DETOUR**



**FIGURE - 118 B (4)  
CORNER SIDEWALK CLOSURE  
WITH PEDESTRIAN DETOUR**

\* ADVANCE SIGNS TO BE PLACED ON TYPE I OR TYPE II BARRICADES OR POST MOUNTED. PLACEMENT SHALL BE SUCH THAT SO THAT AT LEAST 48" OF SIDEWALK IS AVAILABLE FOR PEDESTRIAN USE.

# SIGNS TO BE PLACED ON CONTINUOUS DETECTABLE DEVICES.

LEGEND			
—	= SIGN	◀◀◀	= ARROW PANEL BOARD
—	= TYPE III BARRICADE	▨	= WORK SPACE
○	= CHANNELIZING DEVICES	⏏	= FLAGGER

NO.	DATE	REVISION	SU	KRE
1	10/20/30	MAJOR REVISION		
			BY:	APP'D

DRAWN BY: Shoeb Uddin  
APP'D BY: Kristi Ericksen



STANDARD DETAILS  
DT - 118 B

TRAFFIC CONTROL  
LOCAL STREET / SIDEWALK CLOSURES

DATE: \_\_\_\_\_  
PAGE: \_\_\_\_\_ OF \_\_\_\_\_  
PROJECT: \_\_\_\_\_