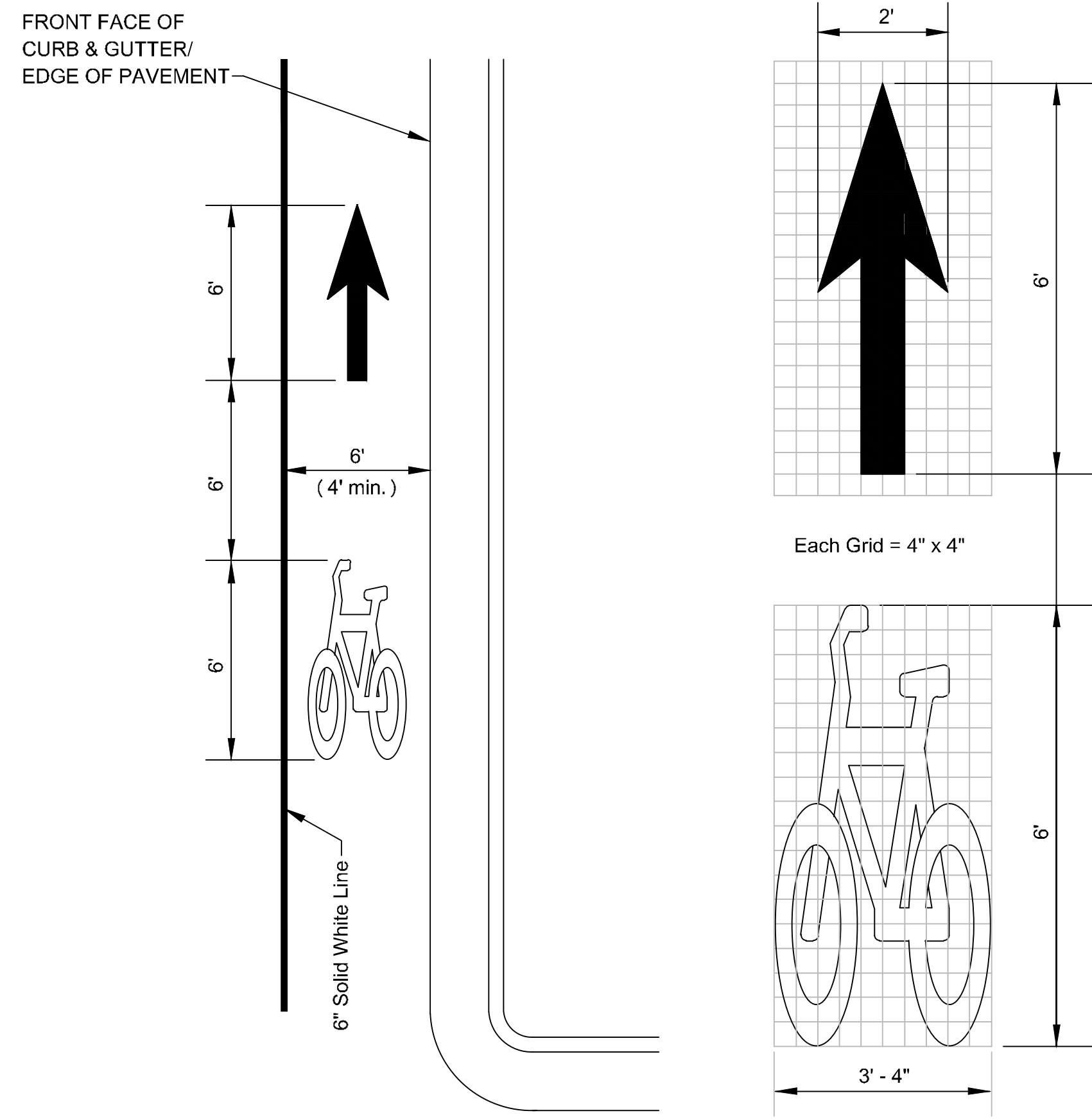
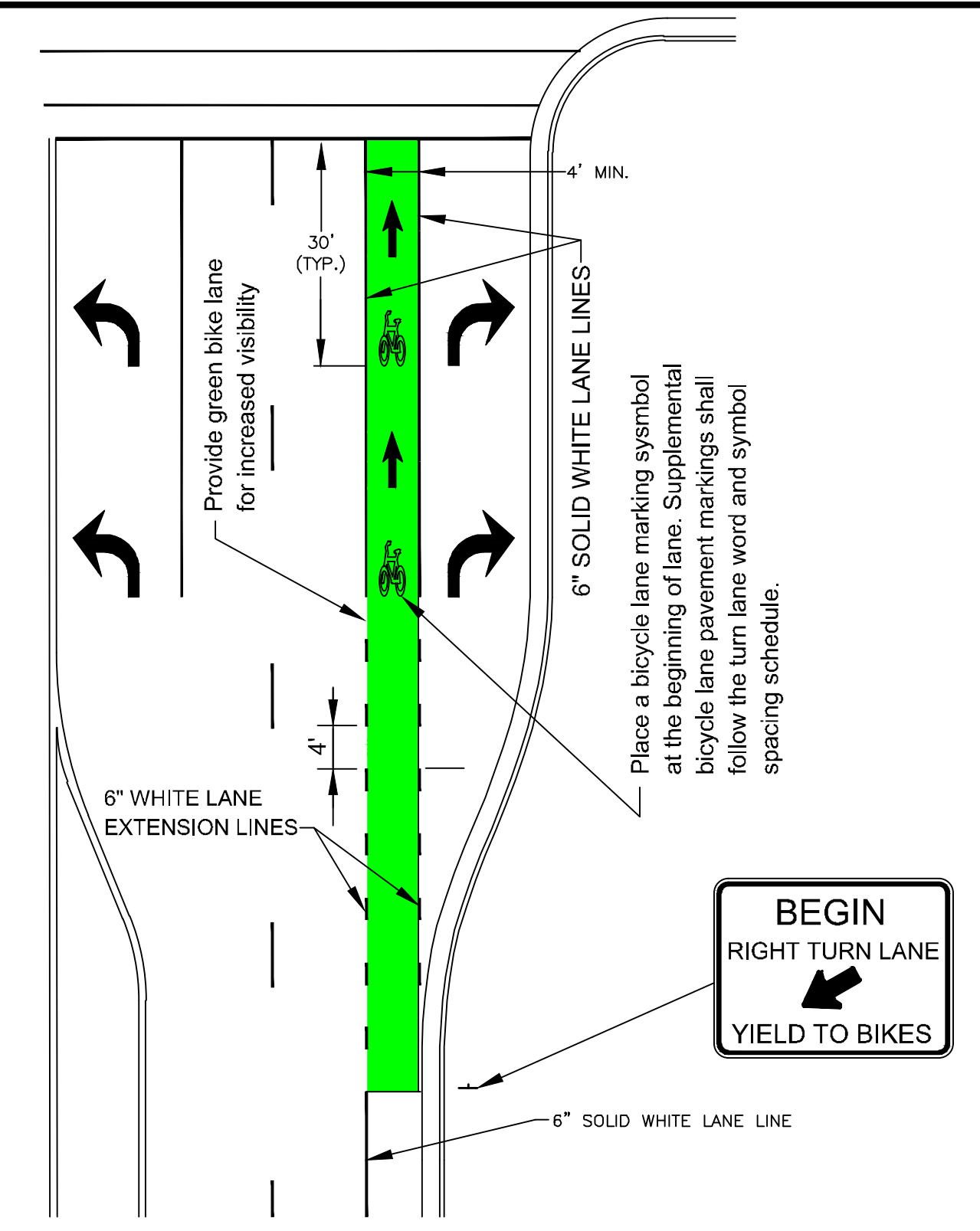


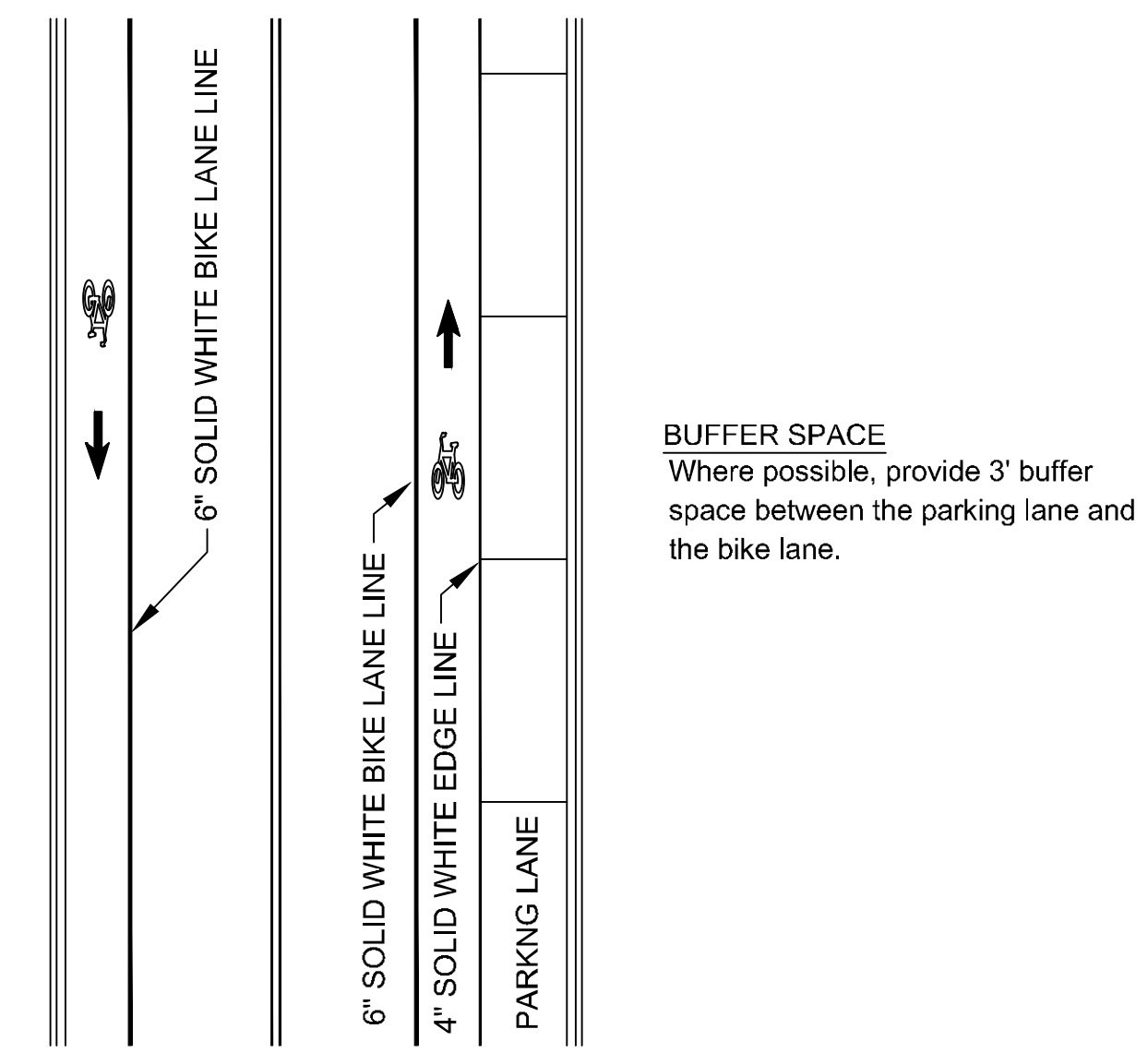
TYPICAL BIKE LANE MARKING



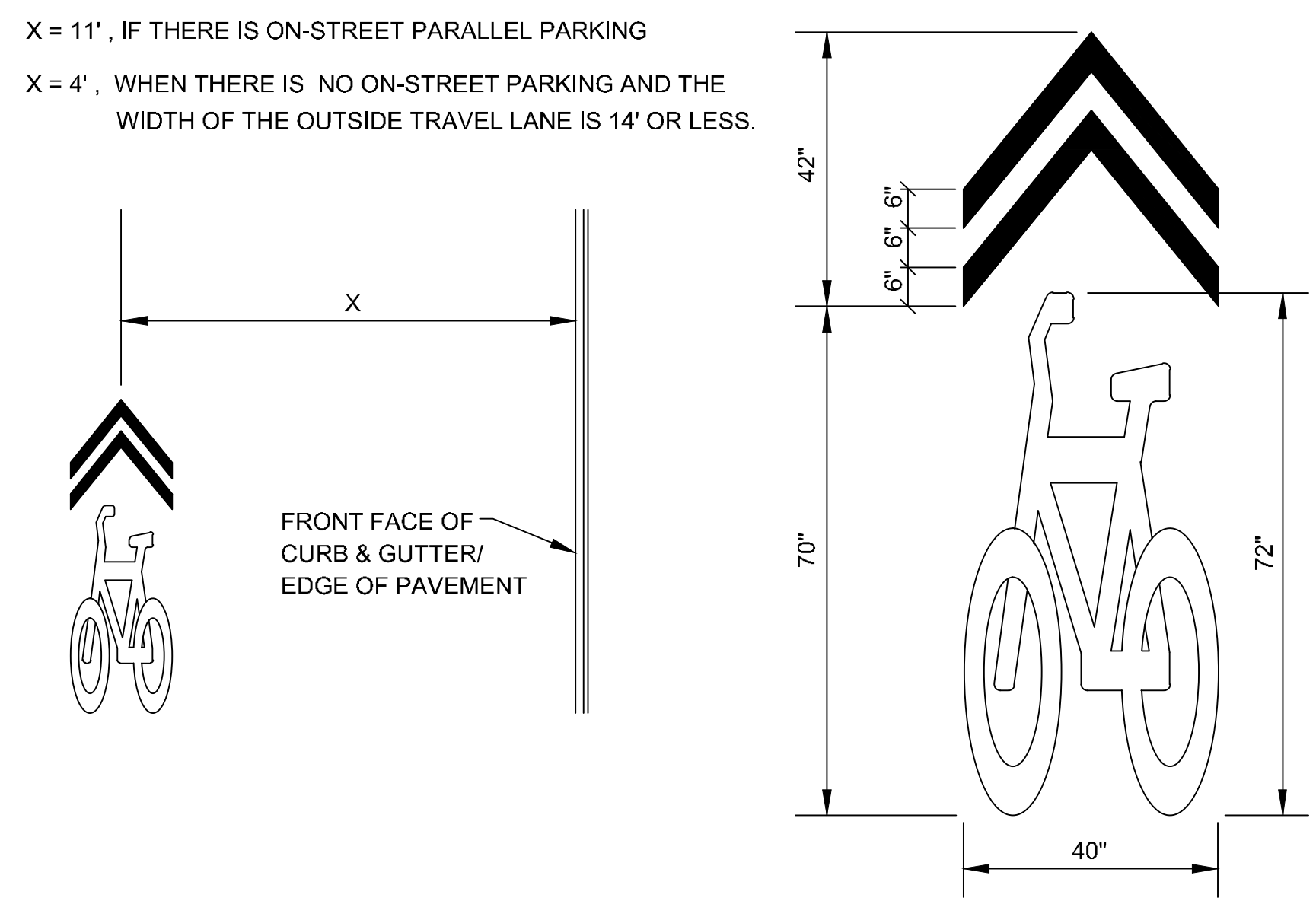
TYPICAL BICYCLE LANE DETAILS



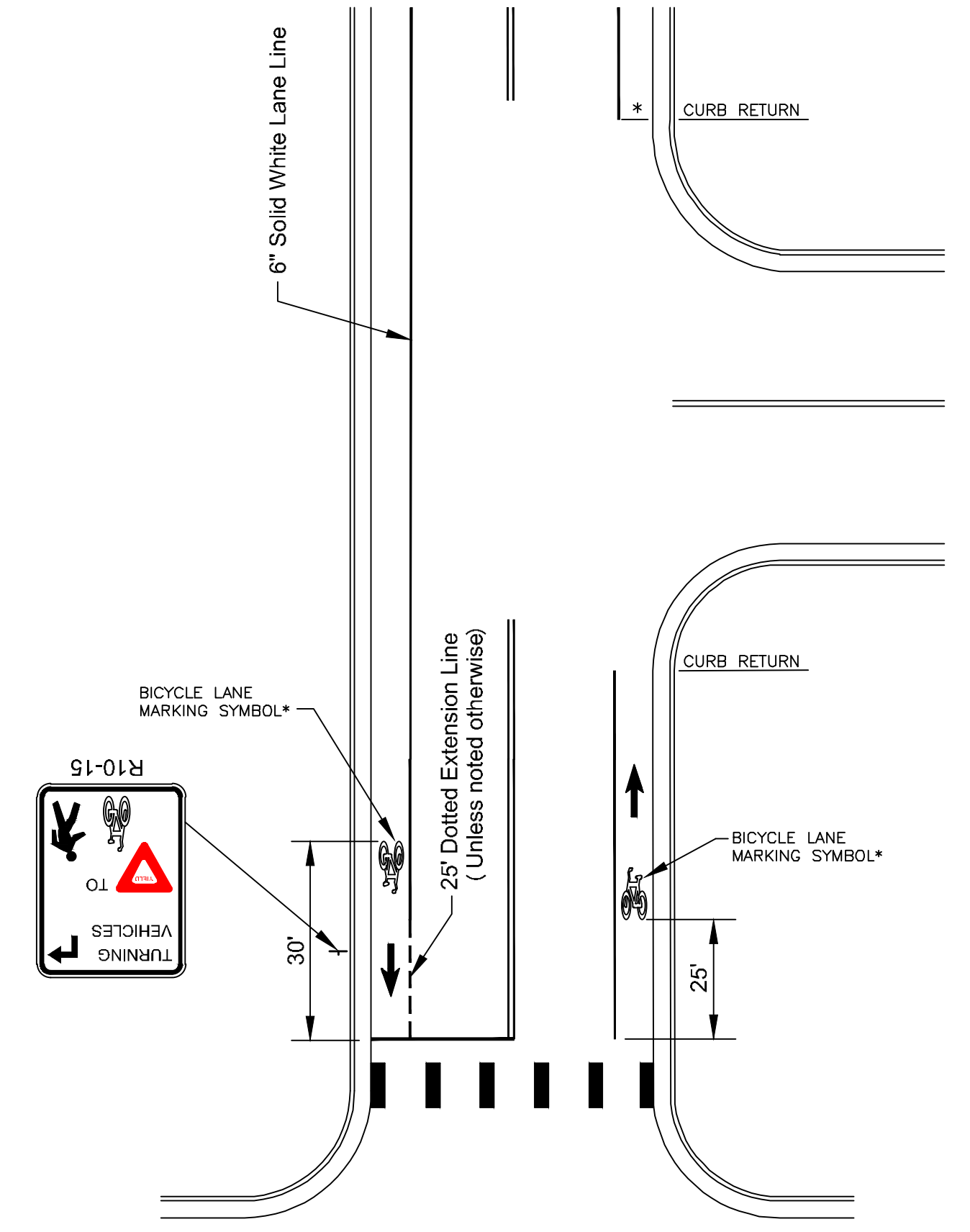
TYPICAL BICYCLE LANE APPROACHING RIGHT-TURN LANE



TYPICAL BIKE LANE MARKING WHERE PARKING PERMITTED



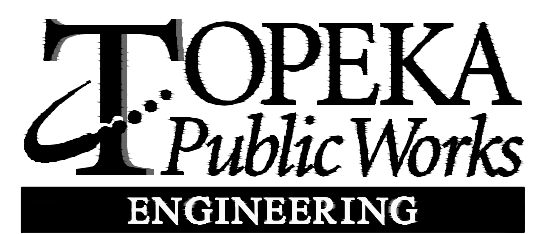
TYPICAL SHARED LANE MARKING DETAILS



TYPICAL BICYCLE LANE WITHOUT RIGHT TURN LANE

NO.	DATE:	REVISION	BY:	APP'D
1	3/31/21	MAJOR REVISION	SU	KRE

DRAWN BY: Shoeb Uddin
APP'D BY: Kristi Ericksen



620 SE MADISON STREET - 2nd FLR. • TOPEKA, KS 66607
Phone: (785) 368-3842 • Fax: (785) 368-3881

STANDARD DETAILS
DT - 117

BIKE LANE PAVEMENT MARKING AND SIGNING

DATE: _____
PAGE: _____ OF _____
PROJECT: _____