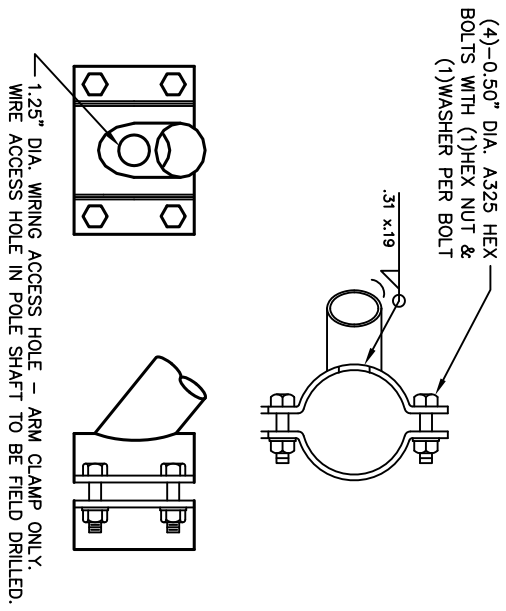
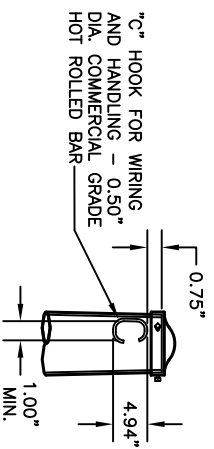


GAUGE OR THK. (IN)	A (IN)	B (IN)	C (IN)
5	7.56	5.19	0.280
0.219	7.31	5.63	0.432

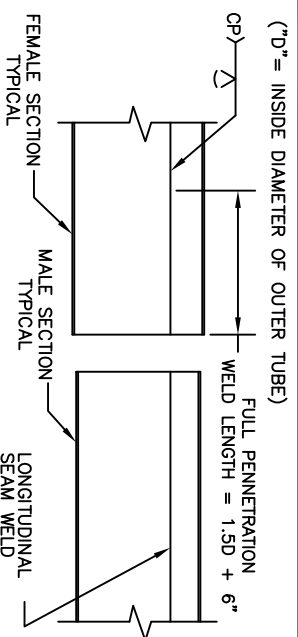
DETAIL 3: HANDHOLE



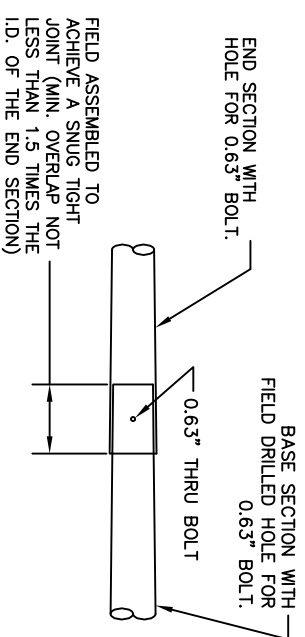
DETAIL 2: LUMINAIRE ARM ATTACHMENT



DETAIL 1: POLE TOP

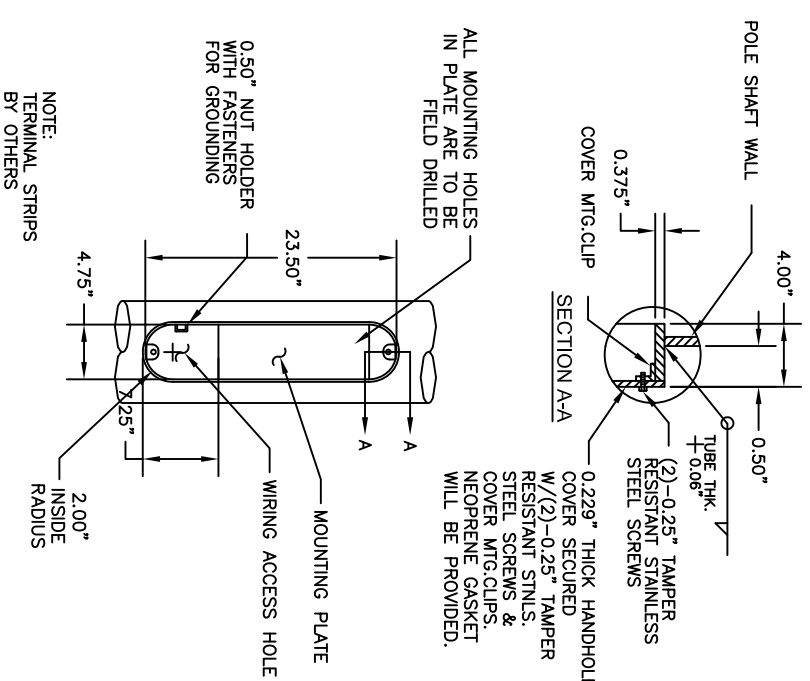


DETAIL 5: MAST ARM WELD REINFORCEMENT

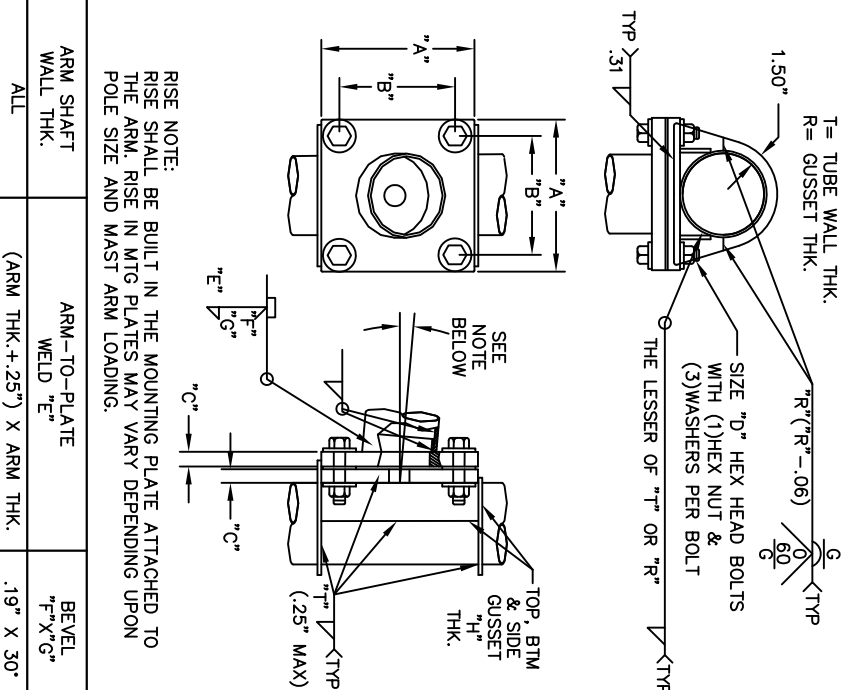


SPAN (FT)	BASE SECTION		END SECTION	
	LENGTH (FT)	GAUGE OR THK. (IN)	BASE DIA. (IN)	LENGTH (FT)
52.00	40.00	5	8.05	14.08
54.00	40.00	5	8.05	16.08
55.00	40.00	5	8.05	17.08
56.00	38.50	3	8.26	19.60
58.00	38.50	3	8.26	21.60
60.00	38.50	3	8.26	23.60
62.00	22.99	0.219	12.00	41.58
64.00	22.99	0.219	12.00	43.58

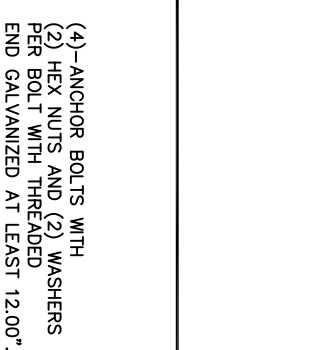
DETAIL 4: SIGNAL ARM SLIP JOINT



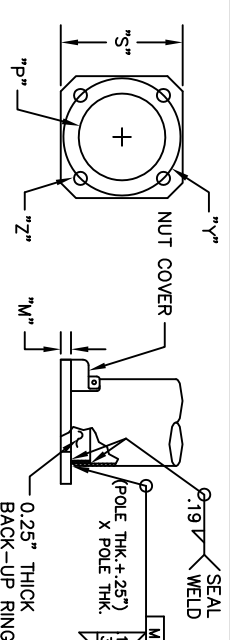
DETAIL 7: BASE HANDHOLE



DETAIL 6: SIGNAL ARM ATTACHMENT



DETAIL 9: ANCHOR BOLT



DETAIL 8: POLE BASE

NO.	DATE	REVISION	BY	APP'D.
1	10/2/17	New Standard Drawing 103B (deleted 103) DHS	TLC	

EDITED BY: Deana Spoor
APP'D BY: Jerry Corder

SPAN (FT)	LENGTH (FT)	GAUGE OR THK. (IN)	BASE DIA. (IN)	LENGTH (FT)	GAUGE
52.00	40.00	5	8.05	14.08	7
54.00	40.00	5	8.05	16.08	7
55.00	40.00	5	8.05	17.08	7
56.00	38.50	3	8.26	19.60	7
58.00	38.50	3	8.26	21.60	7
60.00	38.50	3	8.26	23.60	7
62.00	22.99	0.219	12.00	41.58	7
64.00	22.99	0.219	12.00	43.58	7

TOPEKA Public Works ENGINEERING
620 SE MADISON St., 2nd Floor • TOPEKA, KS 66607
Phone (785) 268-3842 • Fax (785) 268-3881

STANDARD DETAILS

TRAFFIC SIGNAL MAST ARM POLE DETAILS
(DT-103B)

DATE: _____
SHEET: _____
PROJ: _____