

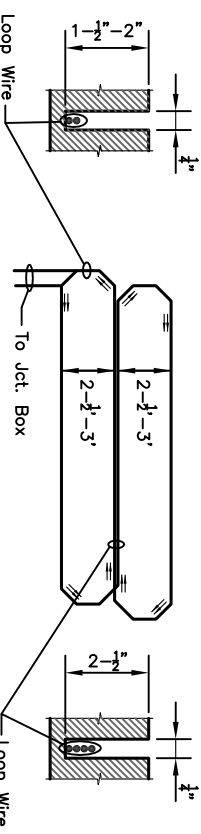
Backfill in paved areas shall be 1/2\"/>

Backfill in unpaved areas shall be free of rubble and rock.  
Conduit shall be pitched to drain.

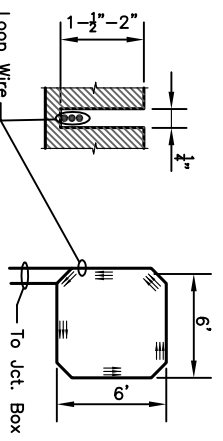
**TRENCH DETAILS**

When crossing an expansion joint in concrete with loop wire, leave slack in wire to allow for expansion and contraction.

Loop wires to be one continuous wire, each partial loop is to be two turns. All loops are to be wound in the same direction, with start and end clearly marked at junction or service box.



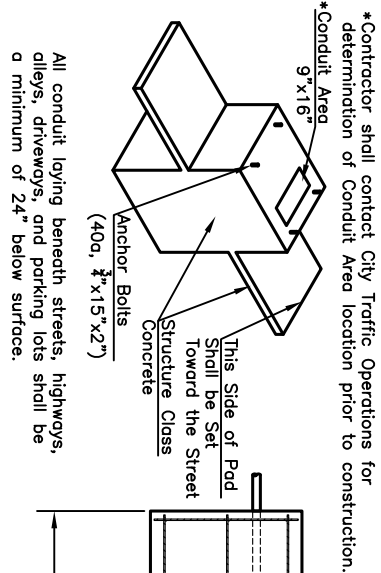
Loops are to be one continuous wire placed in three turns. All loops are to be wound in the same direction, with start and end clearly marked at junction or service box.



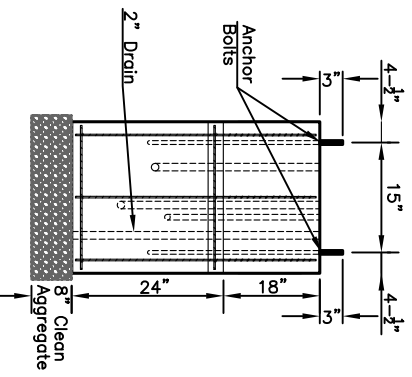
Slots in pavement for loops are to be cut 1/4\"/>

Detector cable and loops shall be joined by using a soldered or approved metered crimp type connector. Detector cable and loops shall be of continuous run with no splices. All connections shall be sealed with 3M 3570 connector sealing packs or approved equal.

**LOOP DETECTOR DETAILS**

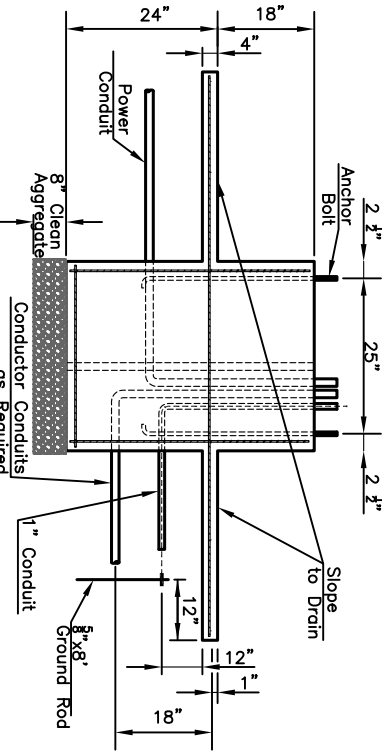
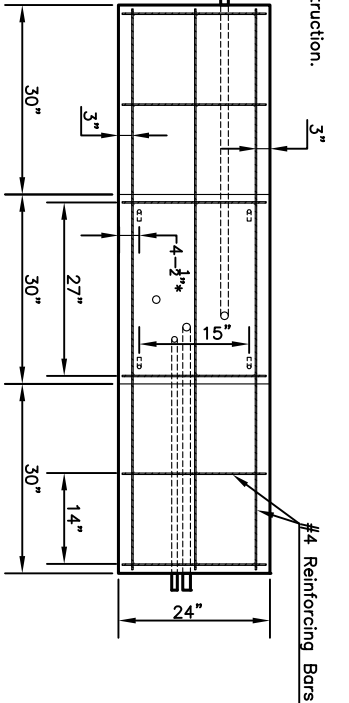


All conduit laying beneath streets, highways, alleys, driveways, and parking lots shall be a minimum of 24\"/>



All conduits and anchor bolts for Controller Pads shall be rigidly installed before concrete is placed. Anchor bolts shall be spaced by means of a template, the center of which shall coincide with the center of the base.

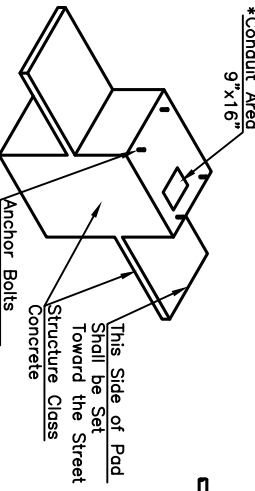
**332 CONTROLLER PAD DETAIL**



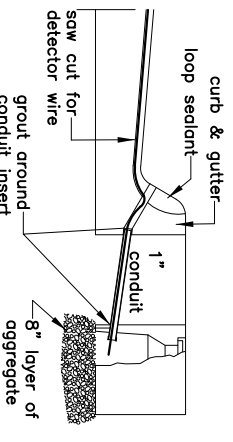
NOTE: At the location where power connection is made, two (2) ground rods, a minimum of six (6) feet apart are required. Ground rods shall be 5/8\"/>

**333 SD-ITS CONTROLLER PAD DETAIL**

\*Contractor shall contact City Traffic Operations for determination of Conduit Area location prior to construction.

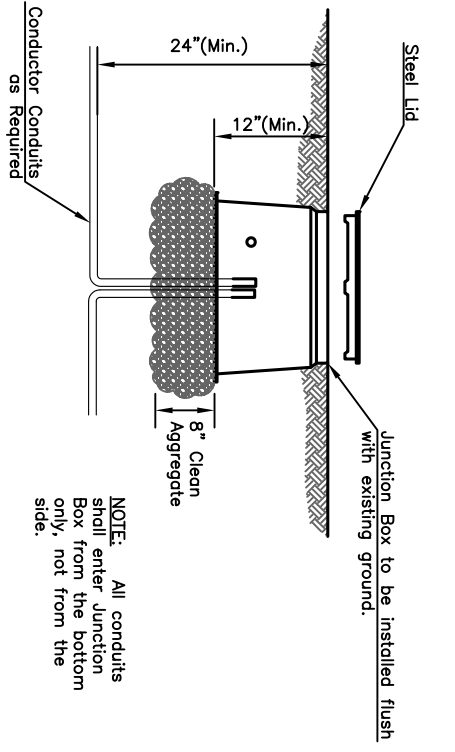


All conduit laying beneath streets, highways, alleys, driveways, and parking lots shall be a minimum of 24\"/>

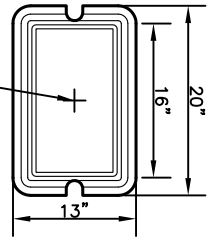


NOTE: Holes shall be drilled before the saw cut.

**LOOP DETECTOR LEAD IN CABLE INSTALLATIONS DETAILS**

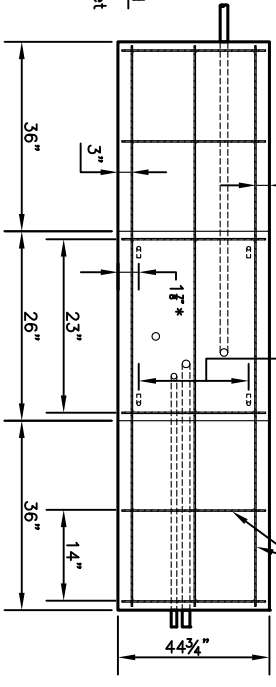


NOTE: All conduits shall enter Junction Box from the bottom only, not from the side.



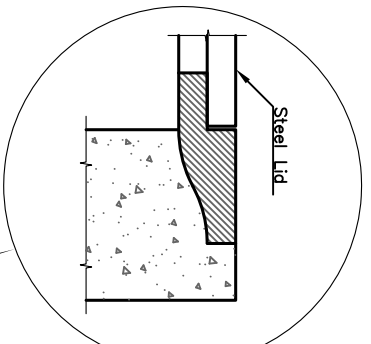
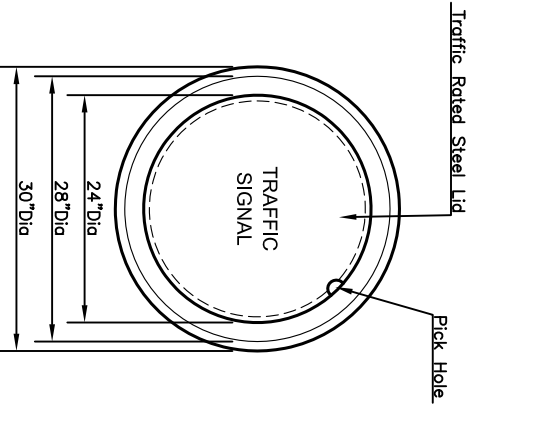
**JUNCTION BOX DETAILS**

\*Contractor shall contact City Traffic Operations for determination of Conduit Area location prior to construction.



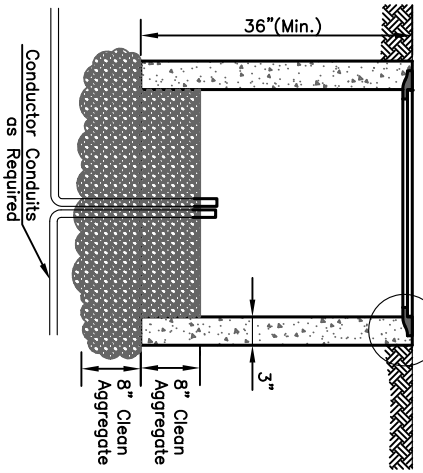
NOTE: At the location where power connection is made, two (2) ground rods, a minimum of six (6) feet apart are required. Ground rods shall be 5/8\"/>

**333SD-ITS CONTROLLER PAD DETAIL**



**PRE-CAST CONCRETE SERVICE BOX DETAIL**

NOTE: All conduits shall enter Service Box from the bottom only. Conduits shall not enter Service Box from the side.



NO.	DATE	REVISION
1	10/5/17	Updated Standard

EDITED BY: David Sparr  
APP'D BY: Jerry Codel

DHS TLC  
BYS APP'D



**STANDARD DETAILS**

DATE: \_\_\_\_\_  
SHEET: \_\_\_\_\_  
PROJ.: \_\_\_\_\_