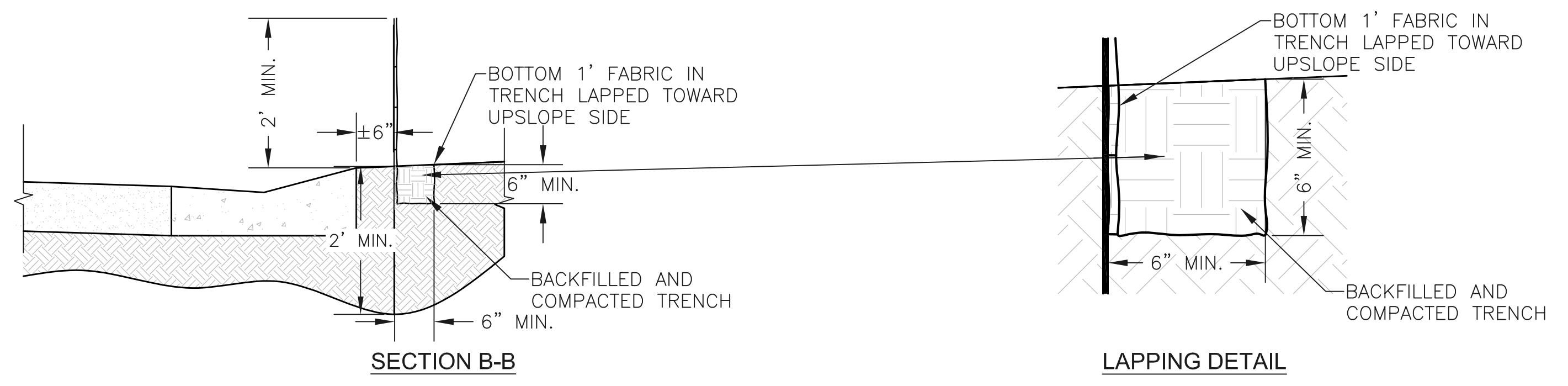
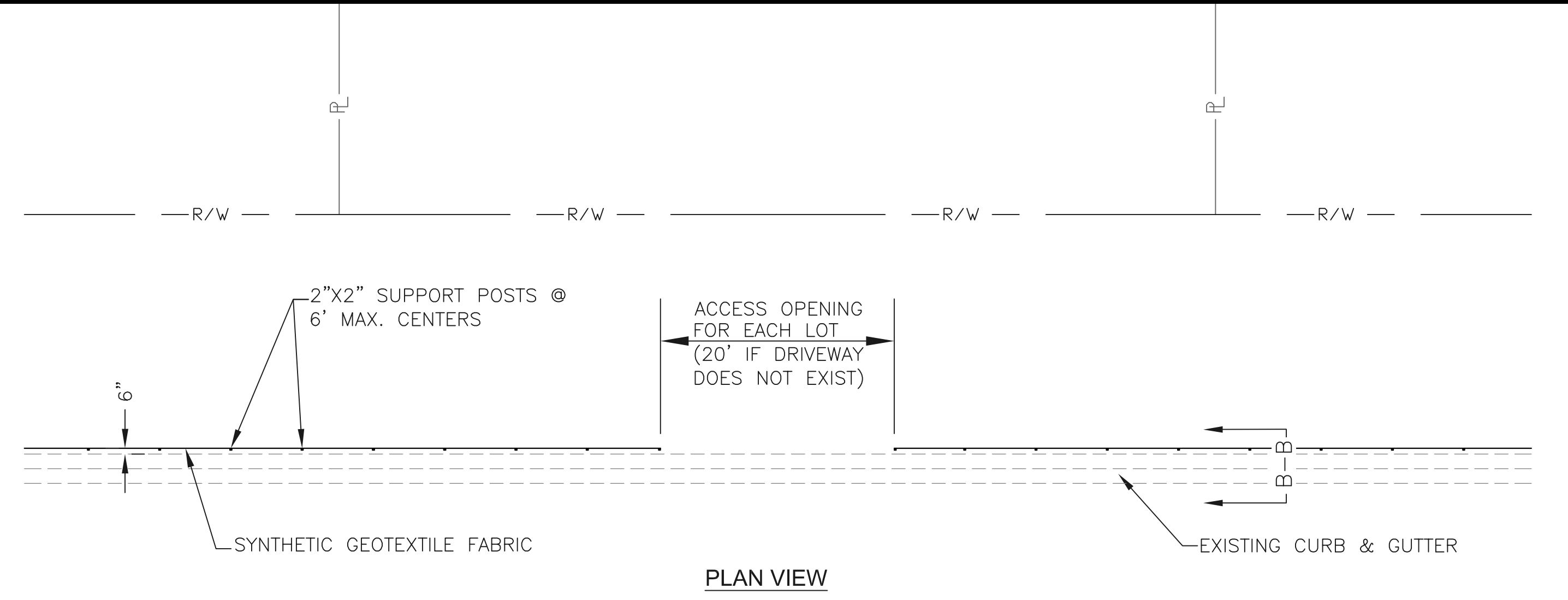
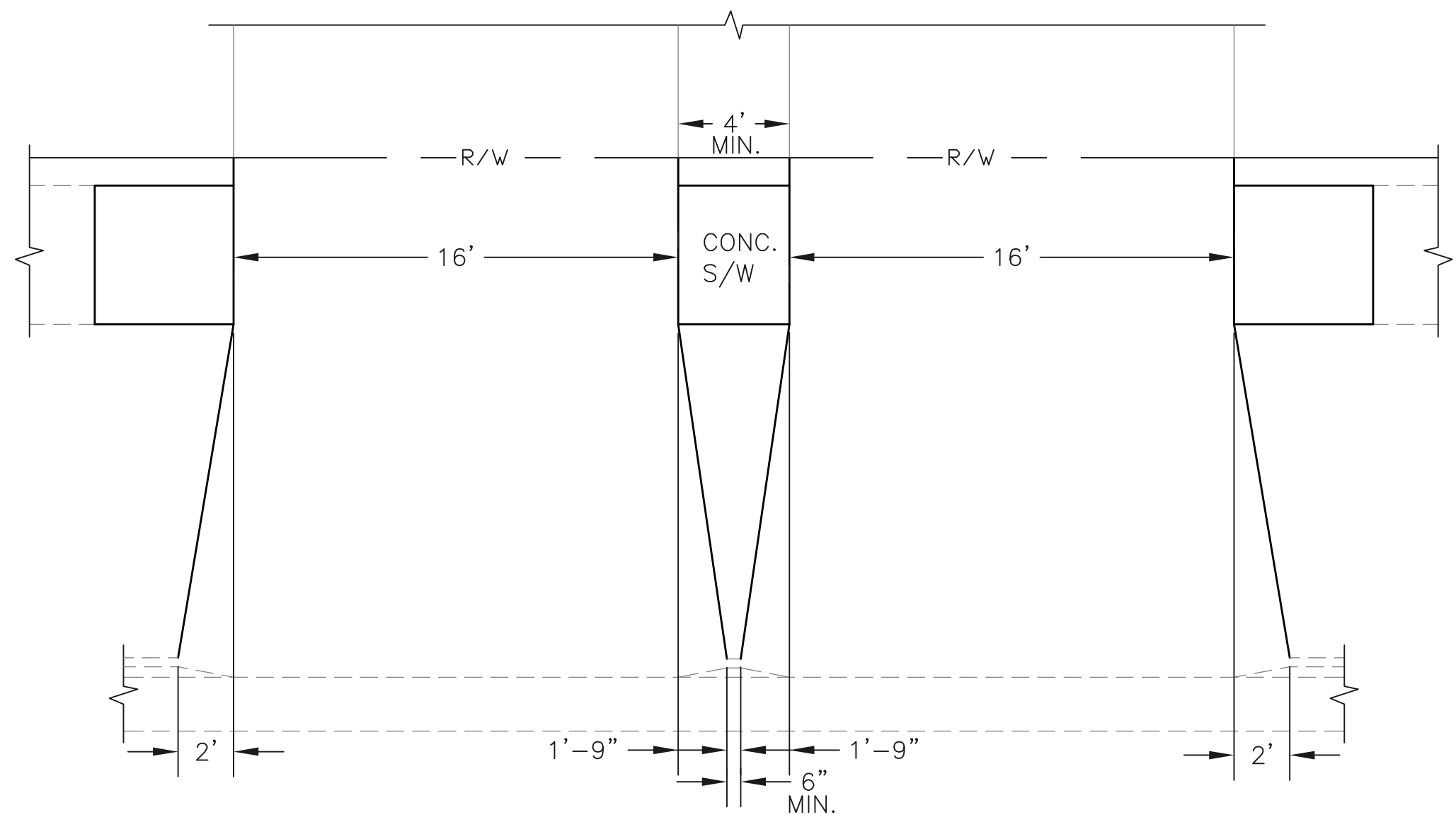


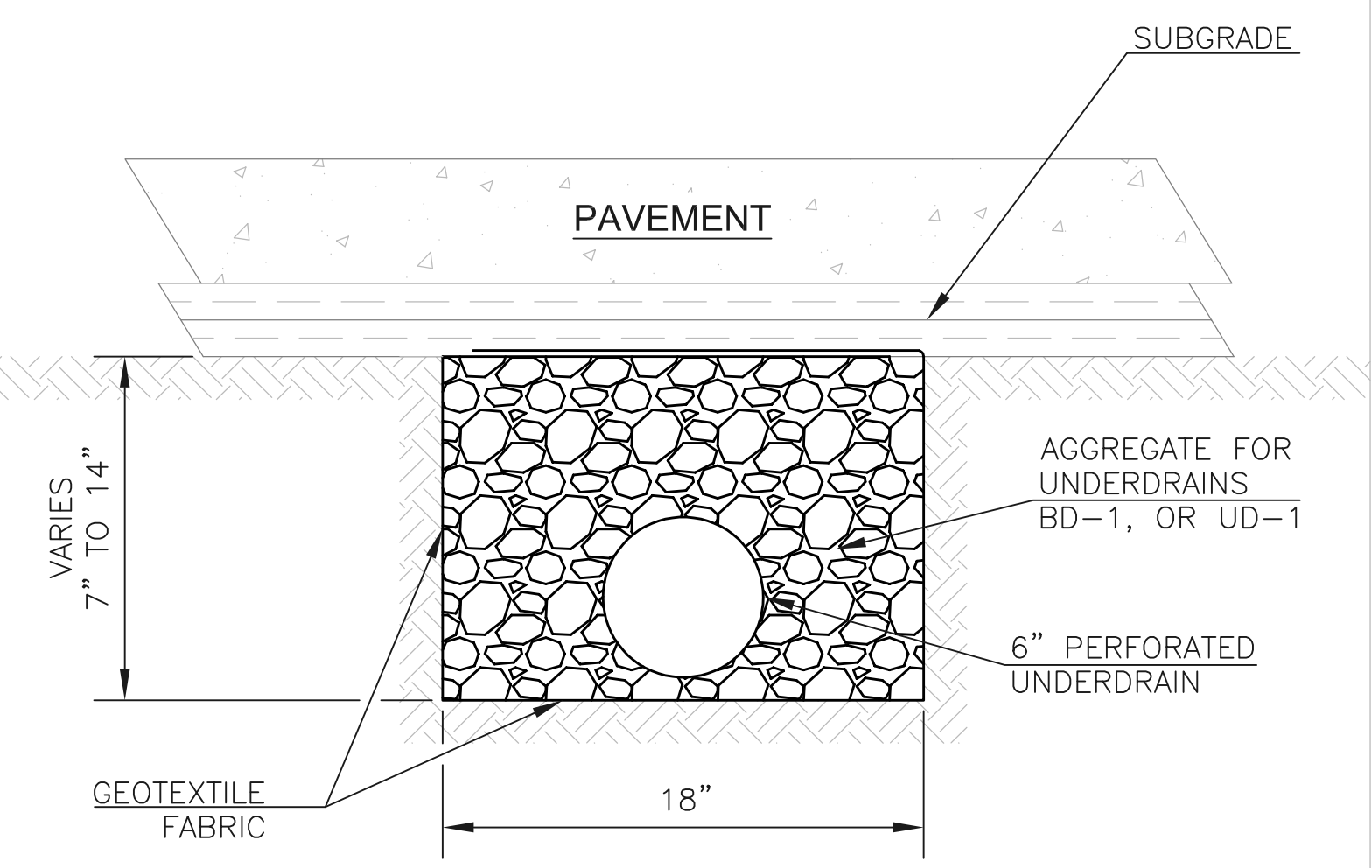
SANITARY SEWER SERVICE CAP



EROSION CONTROL FENCE INSTALLATION FOR NEW DEVELOPMENTS

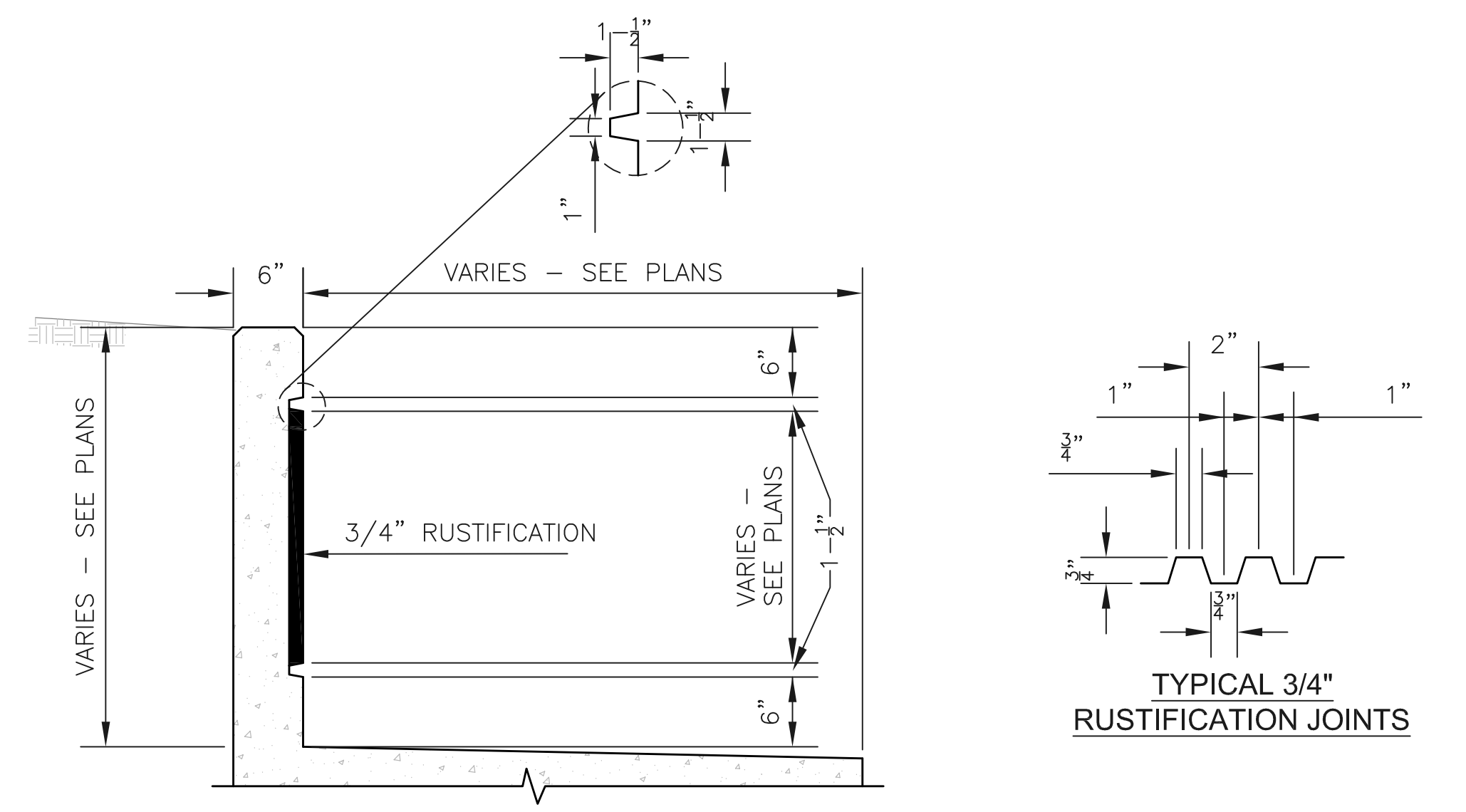


DRIVE APPROACHES FOR DUPLEXES WITH ADJACENT GARAGES



- NOTES:
1. ALL PIPE SHALL BE LAID ON A MINIMUM GRADE OF 1% UNLESS OTHERWISE NOTED.
 2. MATERIALS AND INSTALLATION OF UNDERDRAINS SHALL BE CONSISTENT WITH THE COT & SHAWNEE COUNTY STANDARD TECHNICAL SPECIFICATIONS.
 3. GEOTEXTILE FABRIC MUST BE OVERLAID ONTO UNDERDRAIN AGGREGATE TO PREVENT SOIL MIGRATION AND MAINTAIN LONG-TERM EFFECTIVENESS.

TYPICAL UNDERDRAIN SECTION

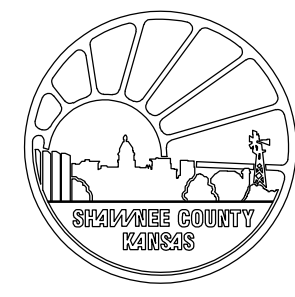


- NOTES:
1. RUSTIFICATION JOINT PROFILE IS BASED ON GREENSTREAK UNI-CAST RIBBED 30 FORM LINER (4'-0" SHEET WIDTH). THE CONTRACTOR HAS THE OPTION OF USING FORM OR APPROVED EQUAL. ALL FORM LINERS SHALL BE FULL HEIGHT OF WALL WITHOUT SPLICES.
 2. WALL SHALL BE DESIGNED BY ENGINEER AND SHOWN ON PLANS.

RETAINING WALL RUSTIFICATION

NO.	DATE:	REVISION	BY:	APP'D
3	Oct. 2020	Added Typical Underdrain detail	JOT	MS
2	Dec. 2012	Added plan view to San Swr Serv Cap	DHS	SB
1	Dec. 2009	Added Erosion Control Installation detail	DHS	SB

DRAWN BY: JOT
APP'D BY: MS



SHAWNEE COUNTY, KANSAS
PUBLIC WORKS DEPARTMENT
1515 NW SALINE
TOPEKA, KS 66618
(785) 233-7702



STANDARD DETAILS

MISCELLANEOUS DETAILS II
(DT-018)

DATE: _____
SHEET: _____
PROJ.: _____